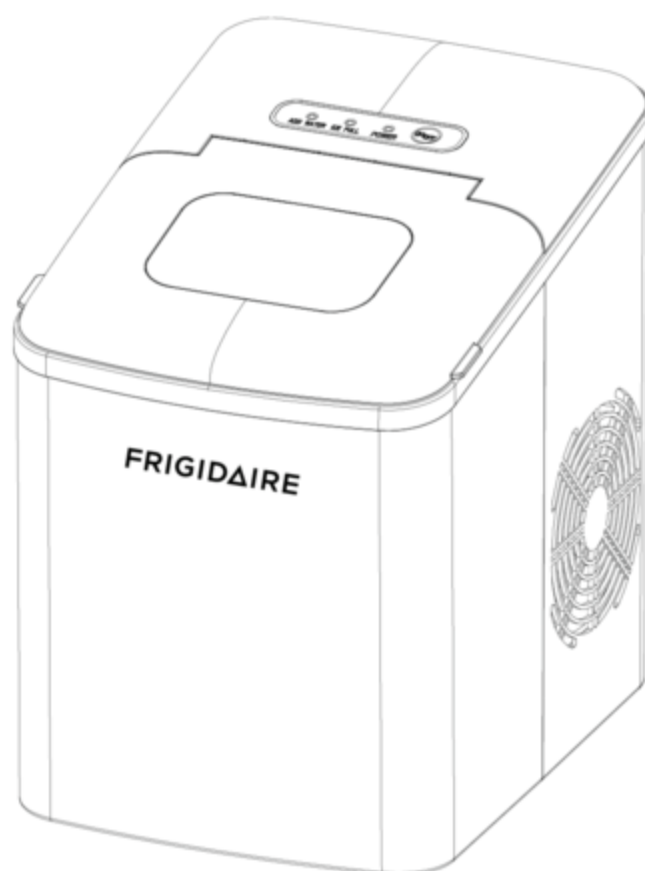


# FRIGIDAIRE

26 LBS

12 KGS

## ICE MAKER



### TABLE OF CONTENTS

IMPORTANT SAFEGUARDS.....	1
KNOW YOUR ICE MAKER.....	4
BEFORE FIRST USE.....	5
USE YOUR ICE MAKER.....	6
CLEANING AND MAINTENANCE.....	7
TROUBLESHOOTING .....	9
TECHNICAL PARAMETERS.....	10
WARRANTY CARD.....	11

\* This ice maker is not designed to keep ice frozen. After each use, remove all ice cubes, drain the water.

**FRIGIDAIRE** is a pending or registered trademark used under license from Electrolux Home Products, Inc.

For service assistance and product information, please call: 1-800-968-9853.  
Curtis International Ltd.  
7045 BECKETT DRIVE, UNIT 15, MISSISSAUGA, ON, L5S 2A3 [www.curtisint.com](http://www.curtisint.com)

### USER MANUAL

EFIC123-B-SSRED/EFIC108-B-RED/EFIC123-B-SS/EFIC123-B-SSBLACK. EFIC117-SSBLACK-B-CU/EFIC117-SS-B/EFIC117-SSRED-B-COM/EFIC117-SSCOPPER-B-COM EFIC189-SILVER/RIC102-B-SILVER/EFIC108-C-BLACK/EFIC108-C-WHITE/EFIC108-C-SILVER

Made In China

# IMPORTANT SAFEGUARDS



When using electrical appliances, basic safety precautions should always be followed including the following

To reduce the risk of fire, explosion, electric shock, or injury when using your ice maker, follow these important safety instructions:

- Before using check that the voltage power corresponds to the one shown on the appliance nameplate.
- Do not remove any safety, warning, or product information labels from your ice maker.
- Plug the ice maker into an exclusive grounded power outlet. No other appliance should be plugged into the same outlet. Be sure that the plug is fully inserted into the receptacle.
- This appliance must be grounded. It is equipped with a power cord having a grounding plug. The plug must be plugged into an outlet that is properly installed and grounded.
- Avoid the use of an extension cord because it may overheat and cause a risk of fire. However, if it is necessary to use an extension cord:
  - 1) Use only extension cord with grounding plug.
  - 2) The marked rating of an extension cord must be equal to or greater than the rating of this appliance.
  - 3) It should be positioned such that it does not drape over the counter or tabletop where it can be pulled on by children intentionally.
- Do not operate any appliance with a damage cord or plug or after the appliance malfunction or has been damaged in any manner. Return the appliance to the nearest authorized service facility for examination, repair or adjustment.
- If the supply cord is damaged, it must be replaced by the manufacturer or its service agent or a similarly qualified person in order to avoid a hazard.
- Do not let cord hang over edge of table or counter.

- Do not place on or near a hot gas or electric burner, or in a heated oven.
- Place power cord in such a way it cannot be pulled on by children or cause a tripping hazard.
- Place power cord in such a way that it is not in contact with hot surfaces.
- The use of attachment not recommended or sold by manufacturer may cause fire, electric shock or injury.
- Do not touch the evaporator when using the ice maker or making ice to avoid being suffer from frostbite.
- Do not immerse any part of the product in water.
- To disconnect, turn any control to “OFF”, then remove plug from wall outlet.
- Do not plug or unplug product with wet hands.
- Unplug the product before cleaning, maintaining and when not in use.
- Do not use with water that is microbiologically unsafe or of unknown quality.
- Do not clean your ice maker with any flammable fluids. The fumes may create a fire hazard or explosion.
- Do not overturn the ice maker. If the ice maker is overturned accidentally, make it stand steadily for 2 hours before powering it on again.
- If the ice maker is brought in from outside in wintertime, do not use for a few hours, allowing the unit to warm up to the room temperature before operating.
- Never put flammable, explosive and corrosive articles into the ice maker.
- Never use the ice maker when there is flammable gas leakage.
- Never store or use gas and other flammable articles near

the ice maker to avoid any fire.

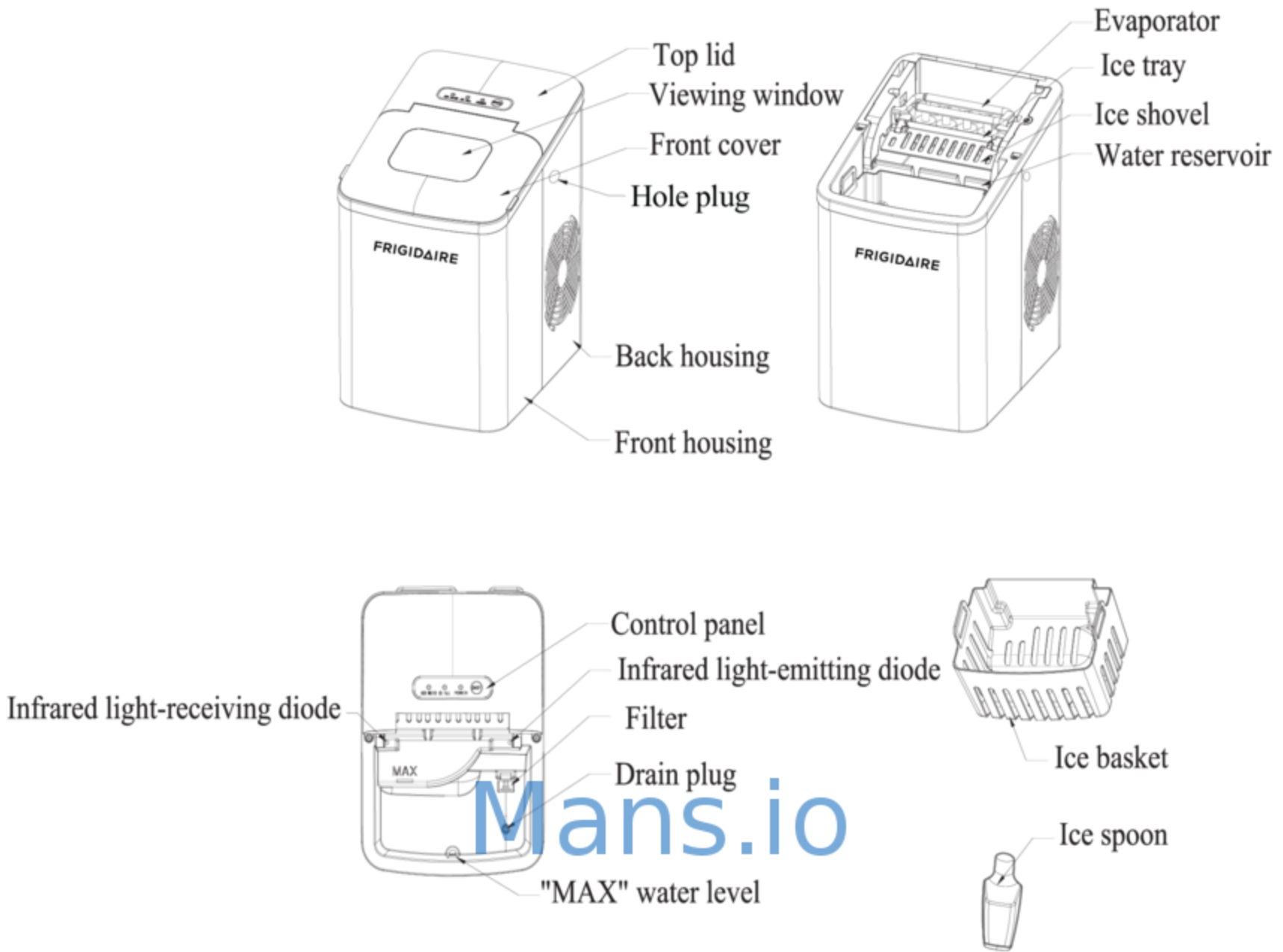
- Unplug the ice maker before moving it to avoid damaging the refrigerating system.
- Do not attempt to disassemble, repair, modify, or replace any part of your product.
- This appliance is not intended for used by persons (including children) with reduced physical, sensory or mental capabilities, or lack of experience and knowledge, unless they have been given supervision or instruction concerning use of the appliances by a person responsible for their safety.
- Children should be supervised to ensure that they do not play with the appliance.
- Close supervision is necessary when any appliance is used by or near children.
- Do not leave the appliance unattended while in use.
- Do not use outdoors.
- Do not use the appliance for other than intended use.
- Please dispose of the ice maker according to local regulations as it uses flammable blowing gas and refrigerant.

34. Please refer to local regulations regarding disposal of the appliance for its flammable refrigerant and blowing gas.

**SAVE THESE INSTRUCTIONS**

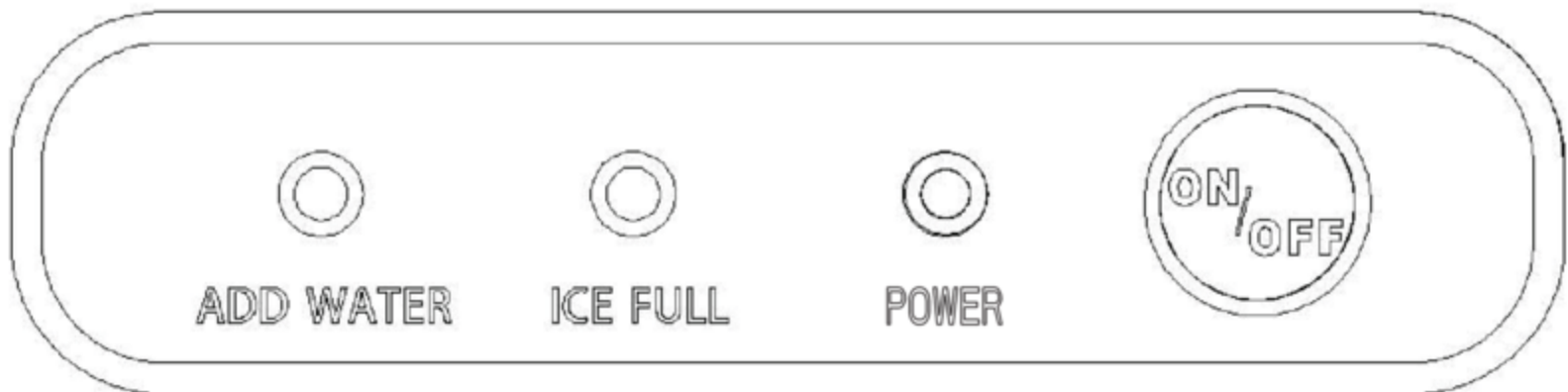
**HOUSEHOLD USE ONLY**

# KNOW YOUR ICE MAKER



*(Product may be subject to change without prior notice)*

# CONTROL PANEL



Key (with indicator)	Function
ON/OFF	Start or stop the appliance
POWER	Standby mode: “POWER” indicator blinks; Working condition: “POWER” indicator lights solidly.
ICE FULL	“ICE FULL” indicator lights up when the ice basket is full.
ADD WATER	“ADD WATER” indicator lights up when the water reservoir is lack of water.

## BEFORE FIRST USE

1. Unpack the appliance, then check and make sure that all the accessories including ice basket and ice scoop etc. are included. Please contact the client service department if some accessories are missed.
2. Please ensure the ice maker is level and on a stable table or platform to avoid malfunction.
3. The incline angle of the ice maker cabinet should not exceed 45° during transportation or use. Do not turn the ice maker upside down. Doing so could cause the compressor or refrigerating system to operate incorrectly. Please allow time for the fluids in the compressor to settle after the ice maker is moved or transported. Before using the ice maker for the first time, please wait for 2 hours after the unit has been leveled and positioned in the proper place.
4. The appliance must be placed on a dry and level surface with sufficient ventilation, far from heat sources such as ovens, heaters and corrosive gases. Leave about a 6-inch (15cm) clearance on all sides of the ice maker for proper ventilation.
5. Do not fill the water reservoir with hot water. This may damage the ice maker. It is best to fill the water reservoir with water of room temperature or lower.
6. Do not use the appliance in a very cold environment (lower than 5°C).
7. Clean the appliance by following the operation of “**CLEANING AND MAINTENANCE**” before you operate.

## USE YOUR ICE MAKER

1. Ensure that the drain plug at the bottom of water reservoir is closed well.
2. Plug the ice maker into the wall outlet, until the “POWER” indicator blinks.

**NOTE:** Please let the ice maker rest for 30 minutes before plug if it has been moved.

3. Open the top lid and remove the ice basket.
4. Fill the water reservoir with drinking water.

**NOTE:** Do not fill above the MAX water level mark.

5. Replace the ice basket and close the top lid.
6. Press “ON/OFF” key, and the “POWER” indicator lights solidly.
7. The ice-making cycle will last approximately 7-15 minutes, depending on the ambient temperature and water temperature.

8. The ice-making cycle starts with water being pumped into the ice tray situated below the evaporator. Over the next 7-15 minutes ice forms on the evaporator. Once this has completed, the ice tray will tilt backwards and the remaining water in the ice tray is drained back into the water reservoir. The ice cubes are then dropped from the evaporator and pushed forward into the ice basket by the ice shovel. The ice tray will automatically move back into position under the evaporator and start the next cycle.

9. The “ICE FULL” indicator will light up when the ice basket is full and then the ice maker will stop the ice-making cycle automatically. Gently remove the ice from the ice basket with the ice scoop. About 5 seconds later, the ice maker will restart its ice making function automatically.

10. The “ADD WATER” indicator will light up when the water reservoir is lack of water and the ice-making cycle will stop automatically. At that time, remove the ice basket and add water to the water reservoir, and then press “ON/OFF” key again to restart the ice-making cycle. The appliance will start working automatically after about 20 minutes if the operator forgets to restart the appliance after refill.

11. When you have got your desired amount of ice, stop the ice making cycle by pressing the “ON/OFF” key and unplug the unit from the wall outlet.

12. Open the top lid and transfer the ice to a freezer.

13. Allow the ice maker to reach room temperature.

14. We suggest replacing the water every a week. Please empty the water reservoir if the ice maker is not used for a long time.

## **CLEANING AND MAINTENANCE**

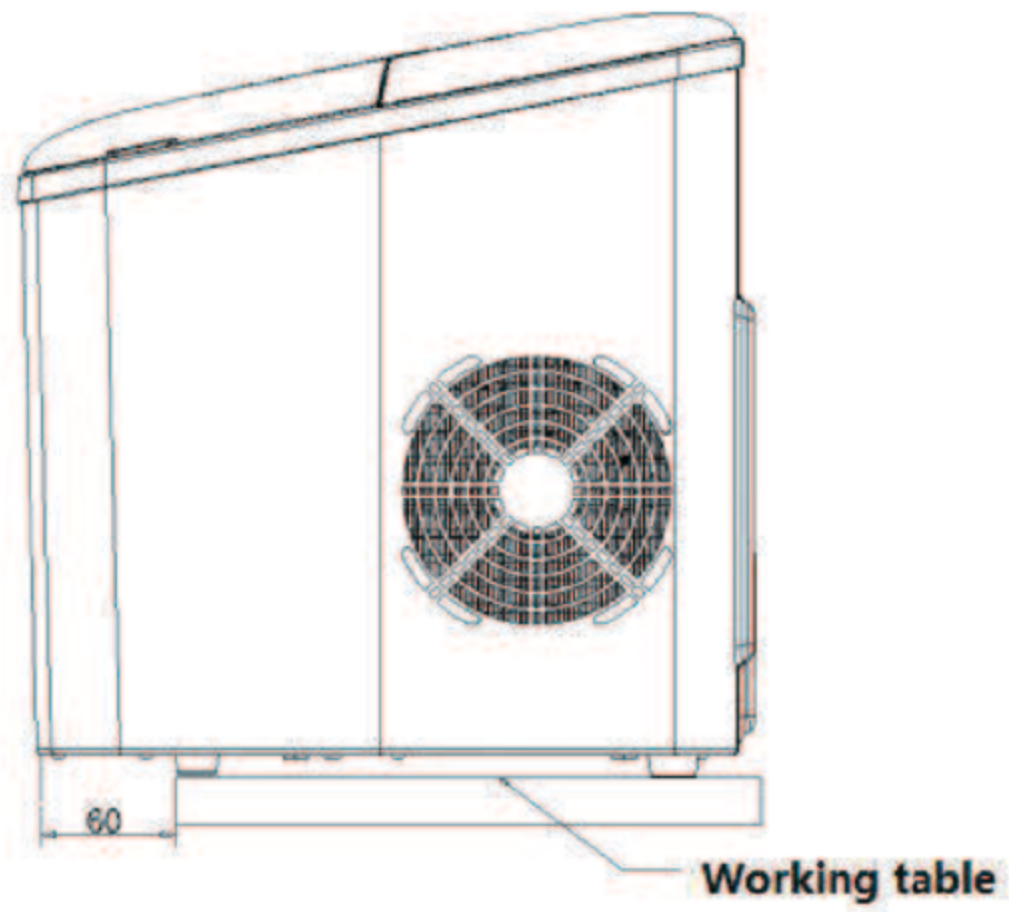
To keep your ice tasting fresh and your ice maker looking great, we recommend cleaning your ice maker once per week.

1. Stop the ice-making cycle by pressing the “ON/OFF” key, unplug the ice maker from the wall outlet and allow it to warm up to room temperature.
2. If residual water is found in the ice tray, gently push the ice tray back so that all water drains into the water reservoir.
3. Move the appliance forward to a place 60mm away from the working table and open the drain plug to drain out excess water (see Fig.1, Fig.2 and Fig.3).
4. Remove the ice basket.
5. Clean the ice maker interior with a soft cloth soaked with warm water and vinegar, then rinse with clean water and then drain all the water.
6. Replace the drain plug well in position. Wash the ice basket and ice scoop in warm soapy water. Rinse and dry.
7. Clean the exterior of the ice maker with a soft damp cloth. Use a mild dishwashing soap, if necessary.

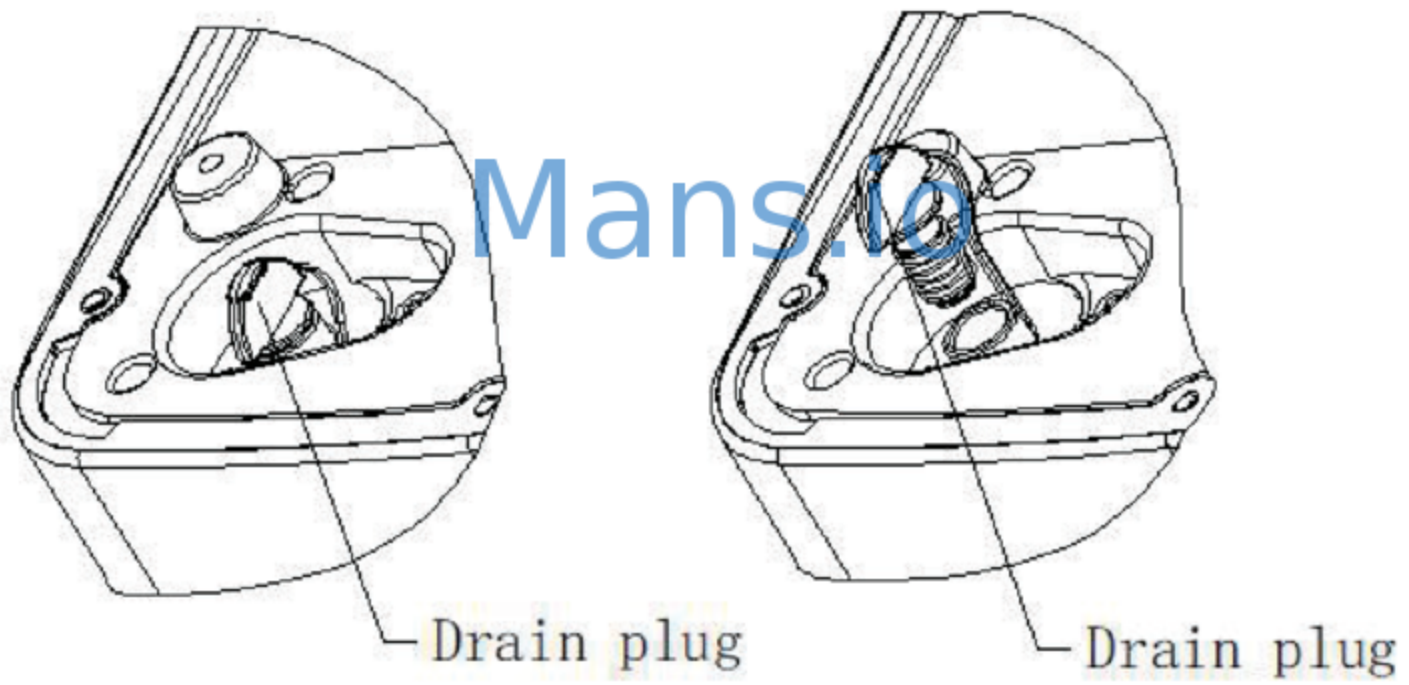
### **NOTE:**

- 1) Do not use organic solvent, boiled water, detergent, strong acid and strong alkali etc. for cleaning.
- 2) Do not clean the evaporator.
8. Please empty the water reservoir and dry it for storage if the ice maker is not used for a long time.





(Fig.1)



(Fig.2)

(Fig.3)

# TROUBLESHOOTING

Problem	Possible causes	Solution
“ADD WATER” indicator turns on	<ol style="list-style-type: none"> <li>1.Low water level or lack of water</li> <li>2.The water screen at the bottom of water reservoir is blocked.</li> <li>3.Pump malfunction.</li> </ol>	<ol style="list-style-type: none"> <li>1.Stop making ice, refill water and then press “ON/OFF” key to restart ice-making cycle.</li> <li>2.Clean</li> <li>3.Send it to the authorized department for repair.</li> </ol>
“ICE FULL” indicator lights up	<ol style="list-style-type: none"> <li>1.Ice basket is full and the infrared light is blocked by the ice.</li> <li>2. Infrared light-emitting diode &amp; light-receiving diode do not work</li> </ol>	<ol style="list-style-type: none"> <li>1. Remove the ice from ice basket.</li> <li>2a. Wipe up the foreign objects on the infrared light-emitting diode &amp; light-receiving diode and restart the ice maker.</li> <li>2b. Call Customer Service if the infrared light-emitting diode &amp; light-receiving diode still can not work after wiping up the foreign objects on them and restarting the ice maker.</li> </ol>
“ADD WATER” and “ICE FULL” indicators turn on simultaneously	<ol style="list-style-type: none"> <li>1. The ice tray is not in the right position.</li> <li>2. The “ICE FULL” condition can not be detected as the infrared light module is interfered by the sunlight.</li> </ol>	<ol style="list-style-type: none"> <li>1. Unplug the appliance and check if the ice tray is blocked by something.</li> <li>2. Unplug the appliance and move it to a place which is not exposed to the sunlight, then plug the appliance and activate it again.</li> </ol>
The ice collects together.	Making ice takes too much time.	Stop making ice and restart the ice-making cycle after the ice melts.
	The water in the water reservoir	Fill the water reservoir with

Mans.io

Model:

	is of too low temperature.	water ranges between 8°C and 25°C.
The ice-making cycle seems normal but no ice is produced.	The ambient temperature or water temperature is too high.	Start the ice-making cycle at a environment with an ambient temperature less than 32°C and fill the water reservoir with some cold water.
	Refrigerating system leaks	Call customer service
	Refrigerating system blocks	Call customer service
Poor ice-making result	<p>1.Poor heat dissipation. 2.The water temperature is too high. 3.The ambient temperature is too high.</p> <p style="text-align: center; font-size: 2em; color: #4a90e2;">Mans.io</p>	<p>1. Leave a 6-inch clearance on all sides of the ice maker for proper ventilation. 2. Fill the water reservoir with water ranges between 8°C and 28°C. 3. Operate the ice maker at a environment with an ambient temperature between 10°C and 32°C.</p>

## TECHNICAL PARAMETERS

EFIC123-B-SSRED/EFIC108-B-RED/EFIC123-B-SS/EFIC123-B-SSBLACK  
 EFIC117-SSBLACK-B-CU/EFIC117-SS-B/EFIC117-SSRED-B-COM/EFIC117-SSCOPPER-B-COM  
 EFIC189-SILVER/RIC102-B-SILVER/EFIC108-C-BLACK/EFIC108-C-WHITE/  
 EFIC108-C-SILVER

Applicable climate: ST/SN/N/T

Class: I

Power source: 120V/60Hz

Rated power: 105W

Refrigerant/Refrigerant amount: R600a / 23g

Foaming agent: C<sub>5</sub>H<sub>10</sub>

Net weight: 7.7kg

Ice marking amount per time: 9pcs.

Ice-dispensing time: 8mins (depends on the ambient temperature and water temperature).

Daily ice output: 12Kg/24H

Housing: PP

Unit size (DXWXH): 310\*230\*325mm

To make a warranty claim, do not return this product to the store. Please email [support@curtiscs.com](mailto:support@curtiscs.com) or call 1-800-968-9853.

## **1 Year Warranty**

This product is warranted to be free from defects in material and workmanship for a period of one (1) year from the date of original purchase. During this period, your exclusive remedy is repair or replacement of this product or component found to be defective, at our option; however, you are responsible for all costs associated with returning the product to us. If the product or component is no longer available, we will replace with a similar one of equal or greater value. Prior to a replacement being sent, the product must be rendered inoperable or returned to us.

This warranty does **not** cover glass, filters, wear from normal use, use not in conformity with the printed directions., or damage to the product resulting from accident, alteration, abuse, or misuse. This warranty extends only to the original consumer purchaser or gift recipient. Keep the original sales receipt, as proof of purchase is required to make a warranty claim. This warranty is void if the product is used for other than single-family household use or subjected to any voltage and waveform other than as on the specified rating on the label (e.g., 120V~60Hz).

We exclude all claims for special, incidental, and consequential damages caused by breach of express or implied warranty. All liability is limited to the amount of the purchase price. **Every implied warranty, including any statutory warranty or condition of merchantability or fitness for a particular purpose, is disclaimed except to the extent prohibited by law, in which case such warranty or condition is limited to the duration of this written warranty.** This warranty gives you specific legal rights. You may have other legal rights that vary depending on where you live. Some states or provinces do not allow limitations on implied warranties or special, incidental, or consequential damages, so the foregoing limitations may not apply to you.

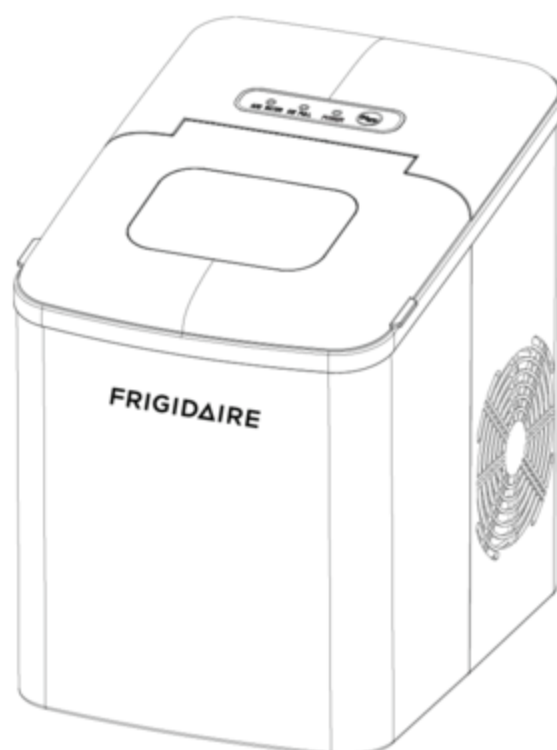
For faster service, locate the model, type, and serial numbers on your appliance.

# FRIGIDAIRE

26 LBS

12 KGS

## MACHINE À GLAÇONS



### TABLE DES MATIÈRES

GARANTIES IMPORTANTES.....	1
CONNAISSEZ VOTRE MACHINE À GLAÇONS.....	5
PANNEAU DE COMMANDE .....	5
AVANT LA PREMIÈRE UTILISATION .....	6
UTILISEZ VOTRE MACHINE À GLAÇONS .....	7
NETTOYAGE ET ENTRETIEN.....	8
DÉPANNAGE.....	10
PARAMÈTRES TECHNIQUES .....	12
CARTE DE GARANTIE .....	13

\* Cette machine à glaçons n'est pas conçue pour congeler de la glace. Après chaque utilisation, retirez tous les glaçons, drainez l'eau.

**FRIGIDAIRE** est une marque en instance ou déposée utilisée sous licence d'Electrolux Home Products, Inc.

Pour obtenir des services d'assistance et des informations sur le produit, veuillez appeler : 1-800-968-9853. Curtis International Ltd.

7045 BECKETT DRIVE, UNIT 15, MISSISSAUGA, ON, L5S 2A3 [www.curtisint.com](http://www.curtisint.com)

### MANUEL UTILISATEUR

EFIC123-B-SSRED/EFIC108-B-RED/EFIC123-B-SS/EFIC123-B-SSBLACK. EFIC117-SSBLACK-B-CU/EFIC117-SS-B/EFIC117-SSRED-B-COM/EFIC117-SSCOPPER-B-COM EFIC189-SILVER/RIC102-B-SILVER/EFIC108-C-BLACK/EFIC108-C-WHITE/EFIC108-C-SILVER

Fabriqué en  
Chine

# GARANTIES IMPORTANTES



Lors de l'utilisation d'appareils électriques, les précautions de sécurité de base qui doivent toujours être suivies sont les suivantes

Pour réduire les risques d'incendie, d'explosion, de choc électrique ou de blessure lors de l'utilisation de votre machine à glaçons, suivez ces instructions de sécurité importantes :

- Avant de l'utiliser, vérifiez que la tension correspond à celle indiquée sur la plaque signalétique de l'appareil.
- Ne retirez aucune étiquette de sécurité, d'avertissement ou d'information sur le produit de votre machine à glaçons.
- Branchez la machine à glaçons dans une prise de terre exclusive. Aucun autre appareil ne doit être branché dans la même prise. Assurez-vous que la fiche est complètement insérée dans la prise. Cet appareil doit être mis à la terre. Il est équipé d'un cordon d'alimentation avec une prise de terre. La fiche doit être branchée dans une prise qui est correctement installée et mise à la terre. Évitez d'utiliser une rallonge, car elle pourrait surchauffer et causer un risque d'incendie. Toutefois, s'il est nécessaire d'utiliser une rallonge :
- 1) N'utilisez une rallonge qu'avec une prise de terre.
- 2) Les caractéristiques nominales d'une rallonge doivent être égales ou supérieures à celles de cet appareil.
- 3) Elle doit être placée de manière à ne pas reposer sur le comptoir ou sur la table où elle peut être intentionnellement tirée par des enfants.
- N'utilisez aucun appareil avec un cordon ou une fiche endommagé ou après un dysfonctionnement ou un dommage

quelconque de l'appareil. Renvoyez l'appareil à l'établissement de service agréé le plus proche pour un examen, une réparation ou un ajustement.

- Si le cordon d'alimentation est endommagé, il doit être remplacé par le fabricant ou son agent de service ou une personne ayant qualité semblable afin d'éviter tout danger.
- Ne laissez pas le cordon pendre sur le bord d'une table ou d'un comptoir.  
Ne le placez pas sur ou proche d'un réchaud à gaz ou électrique, ni dans un four chauffé.
- Placez le cordon d'alimentation de manière qu'il ne puisse pas être tiré par les enfants ni causer de trébuchement.
- Placez le cordon d'alimentation de manière qu'il ne soit pas en contact avec des surfaces chaudes.
- L'utilisation des accessoires non recommandés ou vendus par le fabricant pourrait provoquer un incendie, un choc électrique ou des blessures.
- Ne touchez pas l'évaporateur lors de l'utilisation de la machine à glaçons ou de la fabrication de glace pour éviter les engelures.
- Ne plongez aucune partie du produit dans l'eau.
- Pour déconnecter, mettez une commande quelconque sur « OFF », puis retirez la fiche de la prise murale.
- Ne pas brancher ou débrancher le produit avec les mains mouillées.
- Débranchez le produit avant de le nettoyer, de le maintenir et lorsqu'il n'est pas utilisé.
- Ne l'utilisez pas avec une eau microbiologiquement dangereuse ou de qualité inconnue.
- Ne nettoyez pas votre machine à glaçons avec des liquides inflammables. La fumée pourrait provoquer un risque d'incendie ou d'explosion.

- Ne renversez pas la machine à glaçons. En cas de renversement accidentel de la machine à glaçons, maintenez-la debout pendant 2 heures avant de la rallumer.
- Si la machine à glaçons est apportée de l'extérieur en hiver, ne l'utilisez pas pendant quelques heures afin de permettre à l'unité de se réchauffer à la température ambiante avant de fonctionner.
- Ne mettez jamais d'articles inflammables, explosifs et corrosifs dans la machine à glaçons.
- N'utilisez jamais la machine à glaçons s'il y a une fuite de gaz inflammable.
- Ne stockez ni n'utilisez de gaz et d'autres objets inflammables proche de la machine à glaçons pour éviter tout incendie.
- Débranchez la machine à glaçons avant de la déplacer pour éviter d'endommager le système de réfrigération.
- N'essayez pas de désassembler, réparer, modifier ou remplacer une partie quelconque de votre produit.
- Cet appareil n'est pas destiné à être utilisé par les personnes (y compris les enfants) ayant des capacités physiques, sensorielles ou mentales réduites, ou manquant d'expériences et de connaissances, sauf si elles ont été supervisées ou instruites concernant l'utilisation des appareils par une personne responsable de leur sécurité.
- Les enfants doivent être supervisés pour garantir qu'ils ne jouent pas avec l'appareil.
- Une supervision étroite est nécessaire lorsqu'un appareil est utilisé par ou à proximité d'enfants.
- Ne laissez pas l'appareil sans surveillance lors de l'utilisation. Ne l'utilisez pas en plein air.
- N'utilisez pas l'appareil à des fins autres que celles prévues.
- Veuillez jeter la machine à glaçons conformément aux réglementations locales cille elle utilise des gaz inflammables et du réfrigérant.



34. Veuillez vous référer aux réglementations locales sur l'élimination de l'appareil pour son réfrigérant inflammable et son gaz de soufflage.

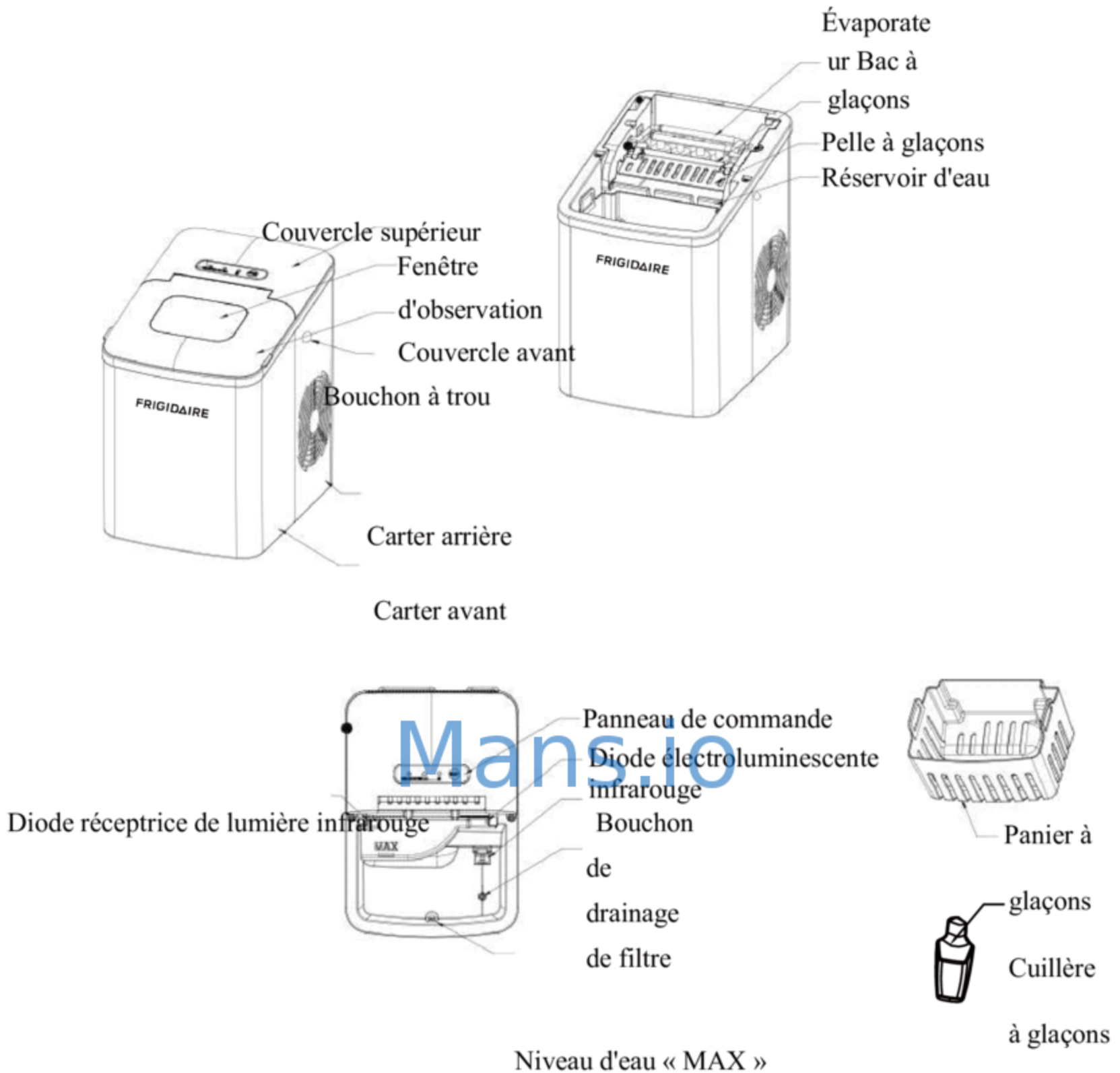
**CONSERVER CES**

**INSTRUCTIONS USAGE**

**DOMESTIQUE SEULEMENT**

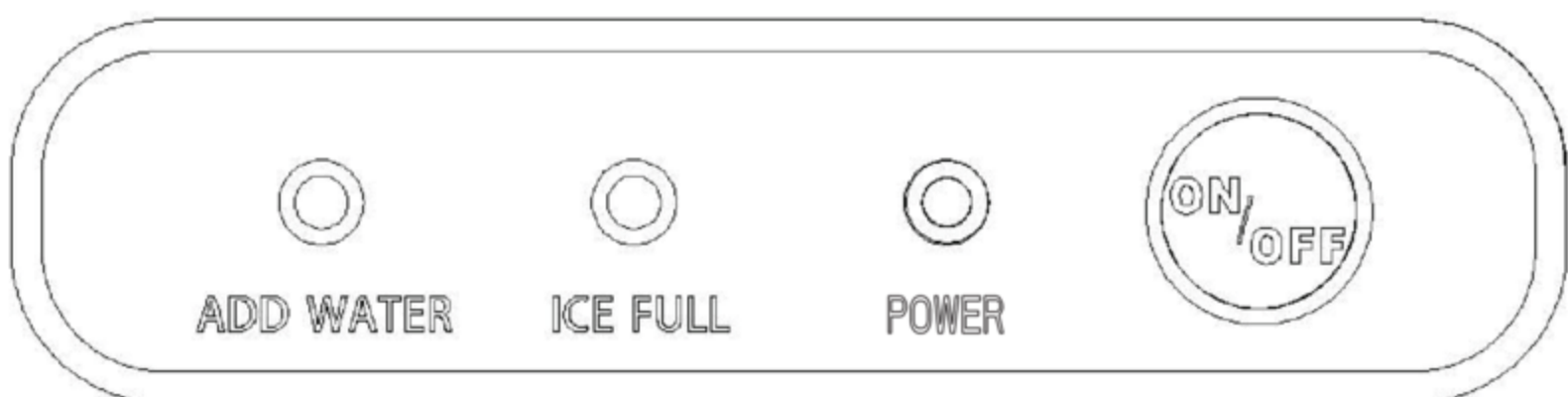
Mans.io

# CONNAISSEZ VOTRE MACHINE À GLAÇONS



*(Le produit peut faire l'objet de changement sans préavis)*

## PANNEAU DE COMMANDE



<b>Touche (avec indicateur)</b>	<b>Fonction</b>
ON/OFF	Démarrer ou arrêter l'appareil
POUVOIR	Mode veille : l'indicateur «POUVOIR » clignote ; État de fonctionnement : l'indicateur «POUVOIR » reste allumé
GLACE PLEINE	L'indicateur « GLACE PLEINE » est allumé lorsque le panier de glace est plein.
AJOUTEZ DE L'EAU	L'indicateur « AJOUTEZ DE L'EAU » s'allume lorsque

## AVANT LA PREMIÈRE UTILISATION

1. Déballez l'appareil, puis vérifiez et assurez-vous que tous les accessoires, y compris le panier à glaçons et la cuillère à glaçons, etc. sont inclus. Veuillez contacter le service clientèle s'il manque des accessoires.
2. Assurez-vous que la machine à glaçons est plate et sur une table ou une plateforme stable pour éviter tout dysfonctionnement.
3. L'angle d'inclinaison de l'armoire de la machine à glaçons ne doit pas dépasser 45° pendant le transport ou l'utilisation. Ne retournez pas la machine à glaçons. Cela pourrait entraîner un dysfonctionnement du compresseur ou du système de réfrigération. Veuillez laisser le temps aux liquides dans le compresseur de se déposer après que la machine à glaçons soit déplacée ou transportée. Avant d'utiliser la machine à glaçons pour la première fois, veuillez attendre 2 heures après que l'appareil ait été nivelé et placé dans un bon endroit.
4. L'appareil doit être placé sur une surface sèche et plate, avec une ventilation suffisante, loin des sources de chaleur telles que les fours, les chauffages et les gaz corrosifs. Laissez un espace d'environ 6 pouces (15 cm) de chaque côté de la machine à glaçons pour une bonne ventilation.
5. Ne remplissez pas le réservoir avec de l'eau chaude. Cela pourrait endommager la machine à glaçons. Il est préférable de remplir le réservoir avec de l'eau de température ambiante ou inférieure.
6. N'utilisez pas l'appareil dans un environnement très froid (moins de 5°C).
7. Nettoyez l'appareil en suivant les instructions de « NETTOYAGE ET ENTRETIEN » avant d'y procéder.

# UTILISEZ VOTRE MACHINE À GLAÇONS

1. Assurez-vous que le bouchon de vidange au fond du réservoir d'eau est bien fermé.
2. Branchez la machine à glaçons dans la prise murale jusqu'à ce que l'indicateur «POUVOIR » clignote. **NOTE :** Veuillez laisser la machine à glaçons reposer pendant 30 minutes avant de la brancher si elle a été déplacée.
3. Ouvrez le couvercle supérieur et retirez le panier à glaçons.
4. Remplissez le réservoir avec de l'eau potable.

**NOTE :** Ne remplissez pas au-dessus du repère de niveau d'eau maximal.

5. Replacez le panier à glaçons et fermez le couvercle supérieur.
6. Appuyez sur la touche « ON/OFF » et l'indicateur «POUVOIR » reste allumé.
7. Le cycle de fabrication de glaçons durera environ 7-15 minutes, en fonction de la température ambiante et de la température de l'eau.
8. Le cycle de fabrication de glaçons commence par le pompage de l'eau dans le bac à glaçons situé sous l'évaporateur. Pendant les 7-15 minutes suivantes, de la glace est formée sur l'évaporateur. Une fois cela terminé, le bac à glaçons basculera vers l'arrière et l'eau restante dedans sera drainée de nouveau dans le réservoir d'eau. Les glaçons sont ensuite déposés de l'évaporateur et poussés dans le panier à glaçons par la pelle à glaçons. Le bac à glaçons se remettra automatiquement en place sous l'évaporateur et lancera le cycle suivant.
9. L'indicateur « GLACE PLEINE » est allumé lorsque le panier de glace est plein, et puis la machine à glaçons arrêtera automatiquement le cycle de fabrication de glaçons. Retirez doucement la glace du panier à glace avec la cuillère à glace. Environ 5 secondes plus tard, la machine à glaçons redémarrera automatiquement sa fonction de fabrication de glaçons.
10. L'indicateur « AJOUTEZ DE L'EAU » sera allumé lorsque le réservoir d'eau manque d'eau et le cycle de fabrication de glaçons s'arrêtera automatiquement. À ce moment, retirez le panier à glaçons et ajoutez de l'eau dans le réservoir d'eau, et puis appuyez à nouveau sur la touche « ON/OFF » pour redémarrer le cycle de fabrication de glaçons. L'appareil commencera automatiquement à fonctionner après environ 20 minutes si l'opérateur oublie de le redémarrer après le remplissage.
11. Lorsque vous avez obtenu la quantité de glaçons souhaitée, arrêtez le cycle de fabrication de glaçons en appuyant sur la touche « ON/OFF » et débranchez l'appareil de la prise murale.

12. Ouvrez le couvercle supérieur et transférez les glaçons dans un congélateur.
13. Laissez la machine à glaçons atteindre la température ambiante.
14. Nous vous conseillons de remplacer l'eau une fois par semaine. Veuillez vider le réservoir d'eau si la machine à glaçons n'est pas utilisée pendant une longue période.

## NETTOYAGE ET ENTRETIEN

Afin de garder le goût frais de vos glaçons et la belle apparence de votre machine à glaçons, nous vous recommandons de nettoyer votre machine à glaçons une fois par semaine.

1. Arrêtez le cycle de fabrication de glaçons en appuyant sur la touche « ON/OFF », débranchez la machine à glaçons de la prise murale et laissez-la se réchauffer à la température ambiante.
2. S'il y a de l'eau résiduelle dans le bac à glaçons, repoussez doucement le bac à glaçons de manière que toute l'eau s'écoule dans le réservoir d'eau.
3. Déplacez l'appareil vers un endroit à 60 mm de la table de travail et ouvrez le bouchon de vidange pour évacuer l'eau excédentaire (voir Fig.1, Fig.2 et Fig.3).
4. Retirez le panier à glaçons.
5. Nettoyez l'intérieur de la machine à glaçons avec un chiffon doux trempé dans de l'eau tiède et du vinaigre, puis rincez-la avec de l'eau claire et drainez toute l'eau.
6. Remettez le bouchon de vidange bien en place. Lavez le panier à glaçons et la cuillère à glaçons dans de l'eau tiède savonneuse. Rincez et séchez.
7. Nettoyez l'extérieur de la machine à glaçons avec un chiffon doux et humide. Utilisez un savon à vaisselle doux, si nécessaire.

### NOTE :

- 1) N'utilisez pas de solvant organique, d'eau bouillie, de détergent, d'acide fort, d'alcalin fort, etc. pour la nettoyer.
- 2) Ne nettoyez pas l'évaporateur.
8. Veuillez vider et sécher le réservoir d'eau pour le stocker si la machine à glaçons n'est pas utilisée pendant une longue période.

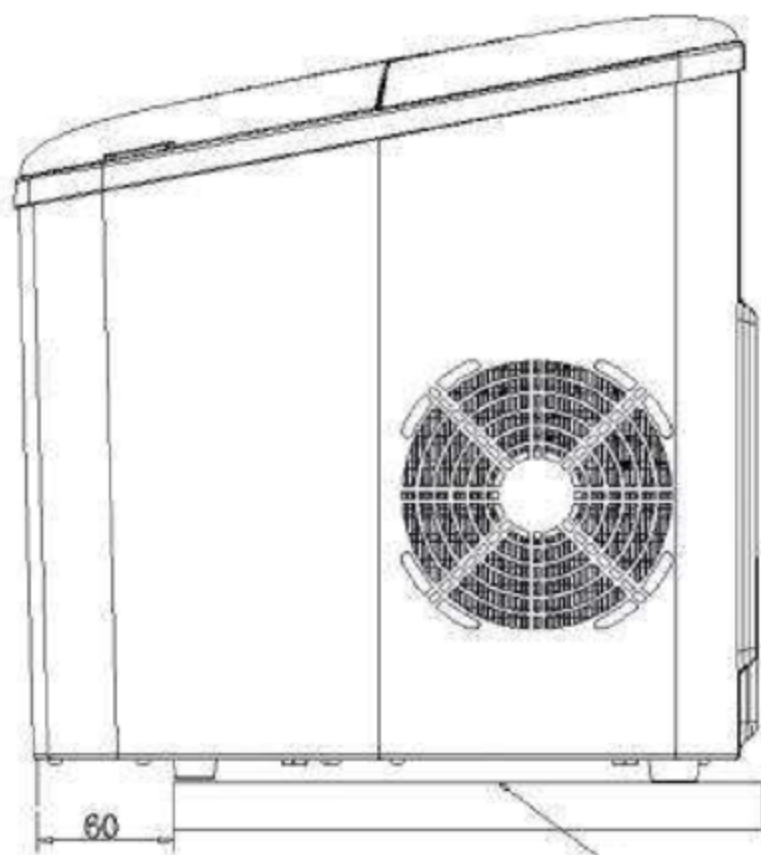
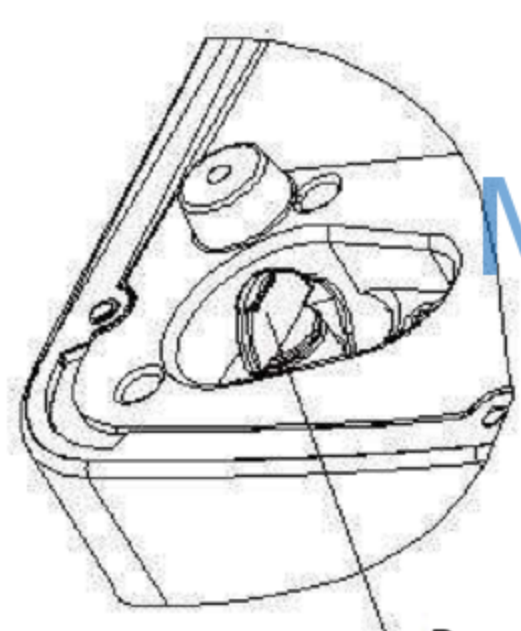


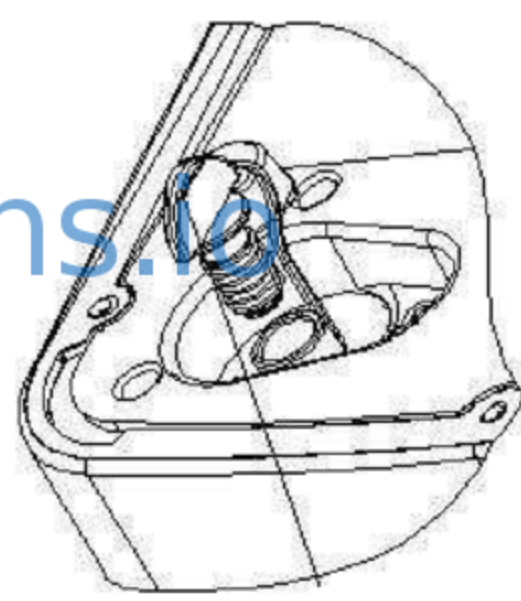
Table de travail

(Fig.1)



Bouchon de vidange

(Fig.2)



Bouchon de drainage

(Fig.3)

# DÉPANNAGE

Problème	Causes possibles	Solution
L'indicateur « AJOUTEZ DE L'EAU » s'allume	<ol style="list-style-type: none"><li>1. Niveau d'eau bas ou manque d'eau</li><li>2. Le filtre à eau situé au fond du réservoir est bloqué.</li><li>3. Dysfonctionnement de la pompe.</li></ol>	<ol style="list-style-type: none"><li>1. Arrêtez de fabriquer des glaçons, remplissez de nouveau de l'eau, et puis appuyez sur la touche « ON/OFF » pour redémarrer le cycle de fabrication de glaçons.</li></ol>
L'indicateur « GLACE PLEINE » est allumé	<ol style="list-style-type: none"><li>4. Le panier à glaçons est plein et la lumière infrarouge est bloquée par la glace.</li><li>5. Diode électroluminescente infrarouge &amp; la diode réceptrice de lumière infrarouge ne fonctionnent pas</li></ol>	<ol style="list-style-type: none"><li>1. Retirez les glaçons du panier à glaçons.</li><li>2a. Essuyez les corps étrangers sur la diode électroluminescente et la diode réceptrice de lumière infrarouge et redémarrez la machine à glaçons.</li><li>2b. Contactez le Service Client si la diode électroluminescente &amp; la diode réceptrice de lumière infrarouge ne fonctionnent toujours pas après avoir essuyé les corps étrangers qui se trouvent dessus et redémarré la machine à glaçons.</li></ol>

<p>Les indicateurs « AJOUTEZ DE L'EAU » et « GLACE PLEINE » s'allument simultanément</p>	<p>1. Le bac à glaçons n'est pas dans la bonne position. 2. L'état « GLACE PLEINE » ne peut pas être détecté parce que le module de lumière infrarouge est interféré par la lumière du soleil.</p>	<p>1. Débranchez l'appareil et vérifiez si le bac à glaçons est bloqué par quelque chose. 2. Débranchez l'appareil et déplacez-le vers un endroit non exposé au soleil, puis branchez l'appareil et réactivez-le.</p>
<p>Les glaçons se rassemblent.</p>	<p>Faire des glaçons prend trop de temps.</p>	<p>Arrêtez de fabriquer les glaçons et recommencez le cycle de fabrication</p>
	<p>L'eau dans le réservoir d'eau est à une température trop faible.</p>	<p>Remplissez le réservoir avec de l'eau comprise entre 8°C et 25°C.</p>
<p>Le cycle de fabrication de glaçons semble normal mais aucune glace n'est produite.</p>	<p>La température ambiante ou la température de l'eau est trop élevée.</p>	<p>Faites fonctionner la machine à glaçons dans un environnement à température ambiante inférieure à 32° C et remplissez le réservoir d'eau avec de l'eau froide.</p>
	<p>Fuite du système de réfrigération</p>	<p>Contactez le service client</p>
	<p>Le système de réfrigération est bloqué</p>	<p>Contactez le service client</p>



<p>Faible résultat de fabrication de glaçons</p>	<ol style="list-style-type: none"> <li>1. Faible dissipation thermique.</li> <li>2. La température de l'eau est trop élevée.</li> <li>3. La température ambiante est trop élevée.</li> </ol>	<ol style="list-style-type: none"> <li>1. Laissez un espace d'environ 6 pouces de chaque côté de la machine à glaçons pour une bonne ventilation.</li> <li>2. Remplissez le réservoir avec de l'eau comprise entre 8°C et 28°C.</li> <li>3. Faites fonctionner la machine à glaçons dans un environnement à température ambiante comprise entre 10°C et 32°C.</li> </ol>
--	--	--

## PARAMÈTRES TECHNIQUES

Modèle : EFIC123-B-SSRED/EFIC108-B-RED/EFIC123-B-SS/EFIC123-B-SSBLACK  
 EFIC117-SSBLACK-B-CU/EFIC117-SS-B/EFIC117-SSRED-B-COM/EFIC117-SSCOPPER-B-COM  
 EFIC189-SILVER/RIC102-B-SILVER/EFIC108-C-BLACK/EFIC108-C-WHITE/  
 EFIC108-C-SILVER

Climat applicable : ST/SN/N/T

Classe : I

Source d'alimentation : 120V/60Hz

Puissance nominale : 105W

Réfrigérant / Quantité de réfrigérant : R600a / 23g

Agent moussant : C<sub>5</sub>H<sub>10</sub>

Poids net : 7,7 kg

Quantité de glaçons fabriqués chaque fois : 9 pcs.

Temps de distribution de glaçons : 8 minutes (en fonction de la température ambiante et de la température de l'eau).

Production de glaçons journalière : 12Kg/24H

Carter : PP

Taille de l'unité (DXWXH): 310\*230\*325mm

Pour faire une demande de garantie, ne retournez pas ce produit au magasin. Veuillez envoyer un courriel électronique à [support@curtiscs.com](mailto:support@curtiscs.com) ou appeler le 1-800-968-9853.

### **1 ans de garantie**

Ce produit est garanti contre tout défaut de matériel et de fabrication pendant une période de un (1) ans à compter de la date d'achat d'origine. Pendant cette période, votre seul recours est la réparation ou le remplacement de ce produit ou composant jugé défectueux, à notre choix; Cependant, vous êtes responsable de tous les coûts associés au retour du produit. Si le produit ou le composant n'est plus disponible, nous le remplacerons par un produit similaire de valeur égale ou supérieure. Avant l'envoi d'un produit de remplacement, le produit doit être rendu inutilisable ou nous être renvoyé.

Cette garantie **ne couvre pas** le verre, les filtres, l'usure normale, une utilisation non conforme aux instructions imprimées, ni les dommages matériels résultant d'un accident, d'une altération, d'une utilisation abusive ou abusive. Cette garantie s'applique uniquement à l'acheteur initial ou au destinataire du cadeau. Conservez le reçu de vente original, car une preuve d'achat est nécessaire pour faire une réclamation de garantie.

Cette garantie est annulée si le produit est utilisé pour un usage autre que domestique ou s'il est soumis à une tension ou une forme d'onde autre que celle indiquée sur l'étiquette (par exemple, 120V ~ 60Hz).

Nous excluons toute réclamation pour des dommages spéciaux, accessoires et consécutifs causés par une violation de la garantie explicite ou implicite. Toute responsabilité est limitée au montant du prix d'achat. **Toute garantie implicite, y compris toute garantie légale ou condition de qualité marchande ou d'adéquation à un usage particulier, est refusée sauf dans la mesure où la loi l'interdit, auquel cas cette garantie ou condition est limitée à la durée de cette garantie écrite.** Cette garantie vous confère des droits légaux spécifiques. Vous pouvez avoir d'autres droits légaux qui varient selon votre lieu de résidence. Certains états ou provinces n'autorisant pas les limitations de garanties implicites ou de dommages spéciaux, accessoires ou indirects, les limitations ci-dessus peuvent ne pas vous concerner.

Pour un service plus rapide, trouver le modèle, le type et les numéros de série sur votre appareil.

Mans.io

Mans.io